

Chip Scale Packages LLP, DFN, QFN MLP, CLCC DIP Adapters

DIP ADAPTER MODULES ELIMINATE THE NEED TO REDESIGN MOTHERBOARDS OR MAY BE USED FOR BREADBOARD PROTOTYPING

Description

This new family of Accutek DIP Adapter Modules converts surface mount IC's to pin compatible DIP packages for creating drop-in replacements for end-of-life DIP IC's. Package types supported are: LLP (Leadless Leadframe Package), DFN, QFN, MLP and CLCC.

These DIP Adapters were developed for users with motherboard designs that require DIP's, now obsoleted by manufacturers. These adapter modules save costly motherboard redesigns.

Available with machined or flat contact pins. Accutek DIP Adapter Modules feature 8 to 72 pins, are fully assembled and tested and may include a decoupling capacitor. These DIP Adapters can be manufactured turnkey or from customer supplied surface mount chips. Modules range in length from 0.400" to 3.600" depending on number of pins and incorporate 0.300", 0.400", 0.600", and 0.900", row-to-row spacing with 0.100" lead spacing.

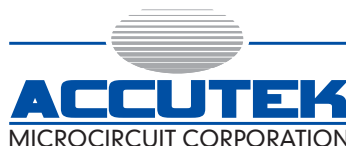
Custom configurations up to 200 pins, multi-chip and double sided modules are also available for special functions. A variety of pin lengths with varying diameters as well as custom sizes and spacing can be specified with different materials and finishes. All modules are designed in-house using PCB CAD workstations. Automated assembly and 100% testing are also performed in-house.

FEATURES

- Saves costly redesign of current motherboards
- Fully tested with lifetime limited warranty
- May include an on board decoupling capacitor
- IC assembly and testing available
- EPROM and Flash programming available
- Custom lead lengths available
- Custom multi-chip and double-sided modules available

ORDERING OPTIONS

- Adapter only
- Customer supplies chips - Accutek assembles on Accutek adapters, tests and delivers finished product in antistatic tubes.
- Complete turnkey - Accutek purchases IC's and passives. Then assembles, tests and delivers finished product in antistatic tubes.



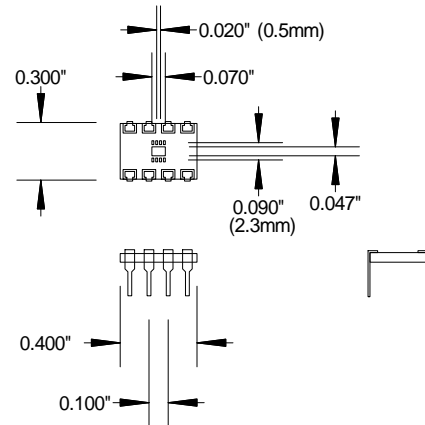
5 NEW PASTURE ROAD
NEWBURYPORT, MA 01950-4040
PHONE: 978-465-6200 FAX: 978-462-3396
Email: sales@accutekmicro.com
Internet: www.accutekmicro.com

We can assemble your chips on to our adapter boards. Fully automated assembly and test at our Newburyport, Massachusetts facility.

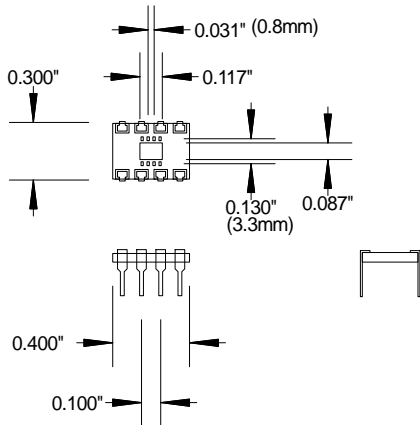


No job to large or small.

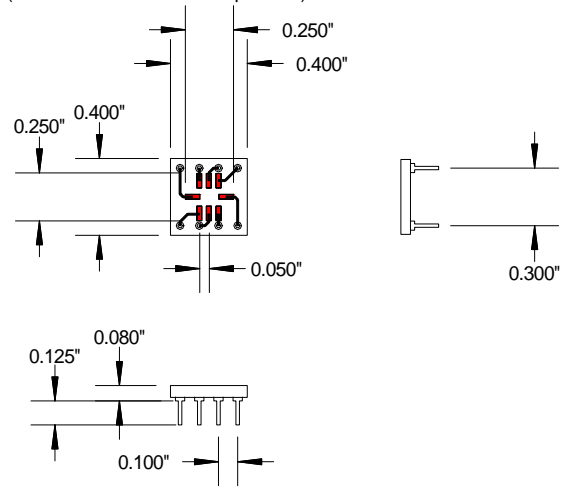
AK08D300-LLP3X3
LEADLESS LEADFRAME PACKAGE (3 X 3)
TO 8 PIN DIP



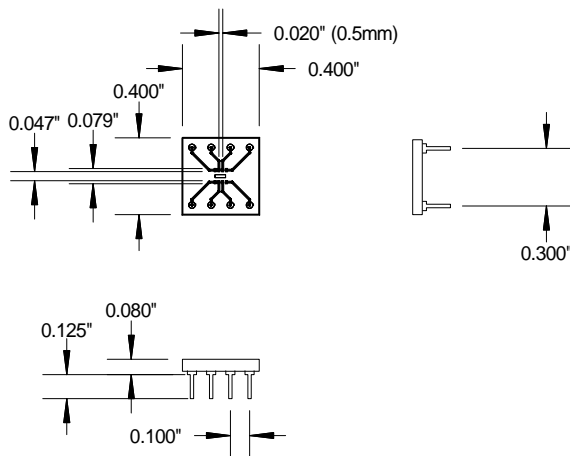
AK08D300-LLP4X4
LEADLESS LEADFRAME PACKAGE (4 X 4)
TO 8 PIN DIP



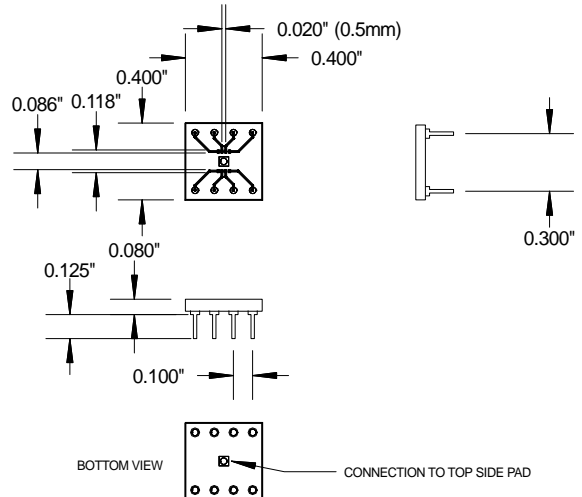
AK08D300-CLCC
8 PIN CLCC TO DIP
(CLCC=ceramic leadless chip carrier)



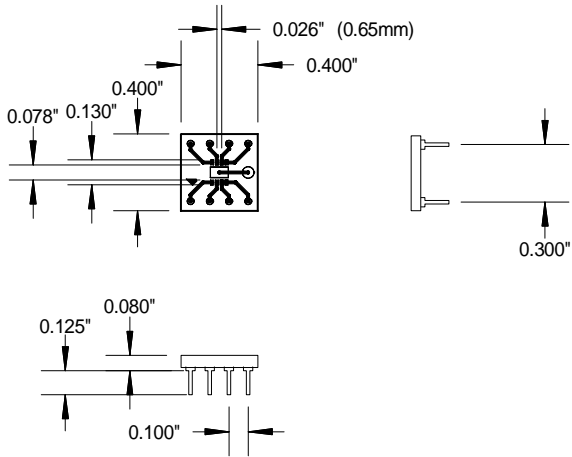
AK08D300-LFCSP2x3 .5MM
8 PIN 2mm x3mm LFCSP 0.5mm PITCH TO 0.300\"/>



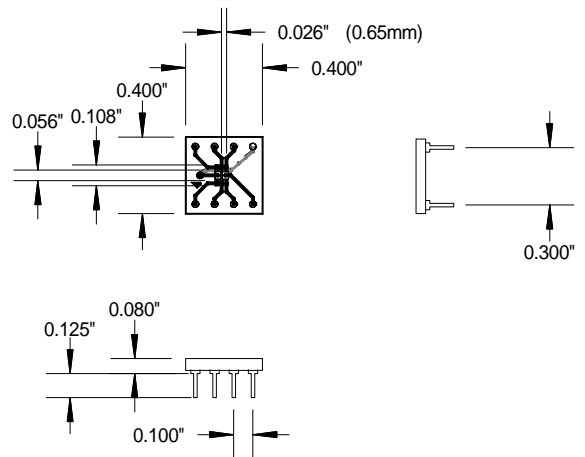
AK08D300-LFCSP3x3 .5MM
8 PIN 3mm LFCSP 0.5mm PITCH TO 0.300\"/>



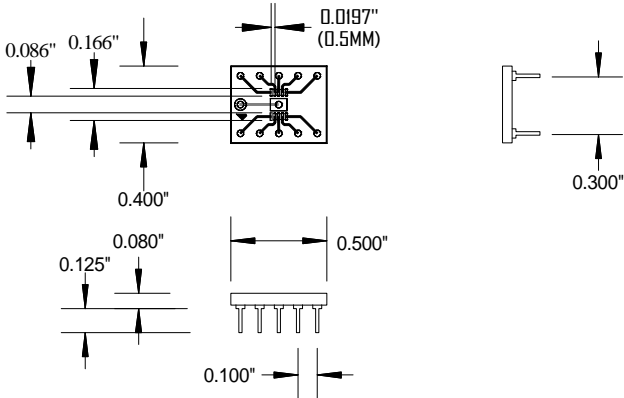
AK08D300-MLP.65MM
8 PIN MLP 0.65mm PITCH TO 0.300" DIP



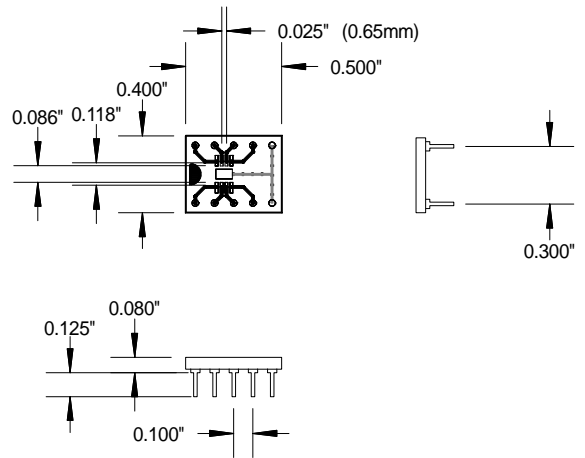
AK08D300-6MLP DUAL.65MM
6 PIN MLP DUAL PAD 0.65mm PITCH TO 8 PIN 0.300" DIP



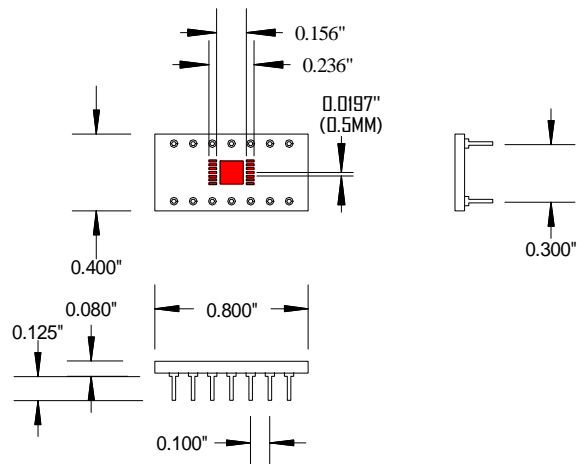
AK10D300-LLP3X3
LEADLESS LEADFRAME PACKAGE(3X3)
TO 10 PIN DIP



AK10D300-8SON .65MM
8 PIN SON 0.65mm PITCH TO 10 PIN 0.300" DIP

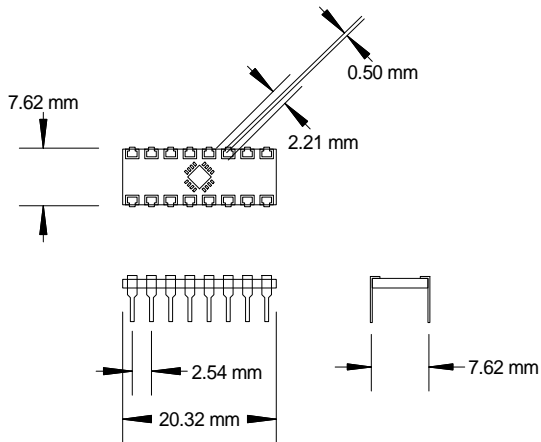


AK14D300-DFN5X5
LLP-DFN PACKAGE(5X5)
TO 14 PIN DIP



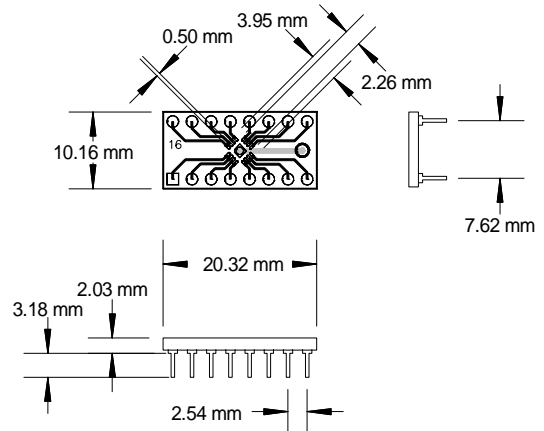
AK16D300-LLP4X4

LEADLESS LEADFRAME PACKAGE (4 X 4)
TO 16 PIN DIP



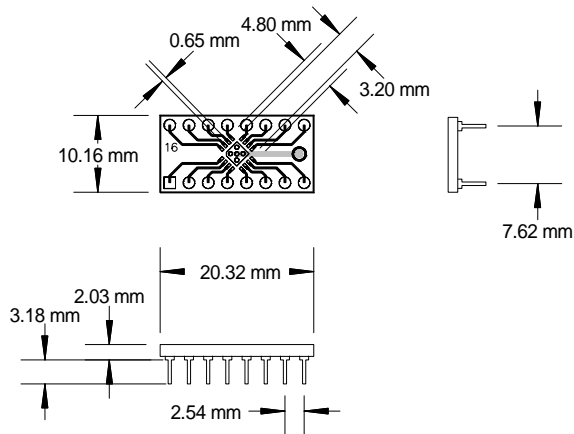
AK16D300-QFN/MLP 3X3

3MM-16 PIN QFN/MLP 0.5MM PITCH TO DIP



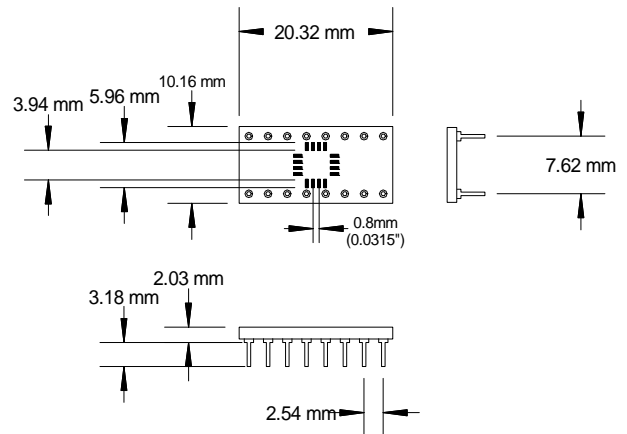
AK16D300-QFN/MLP 4X4

4MM-16 PIN QFN/MLP 0.65MM PITCH TO 16 PIN DIP



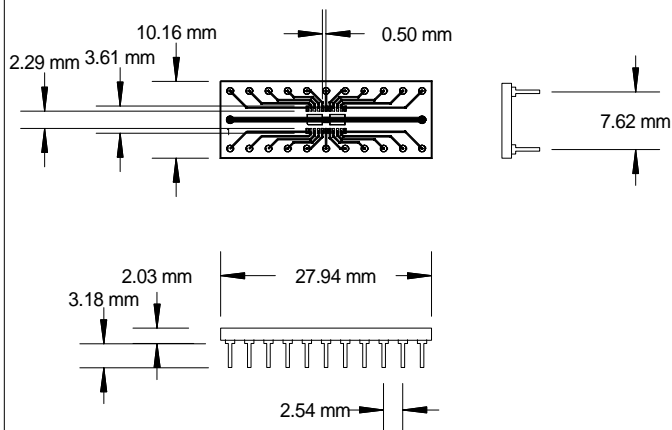
AK16D300-QFN5X5

16 PIN QUAD FLAT NO-LEAD PACKAGE 0.8mm PITCH TO DIP



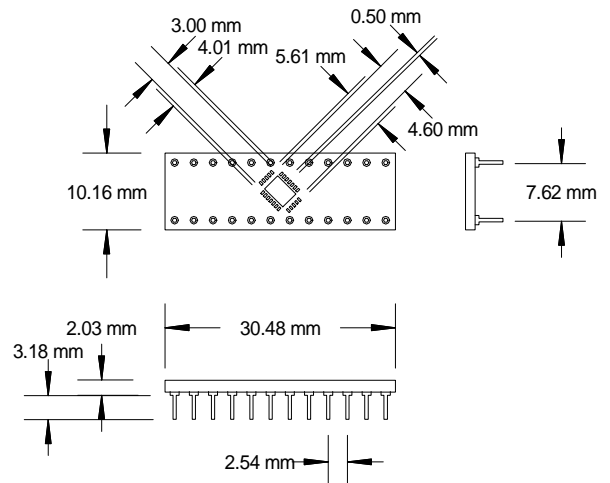
AK22D300-DFN

22 PIN DFN 0.65MM PITCH TO DIP

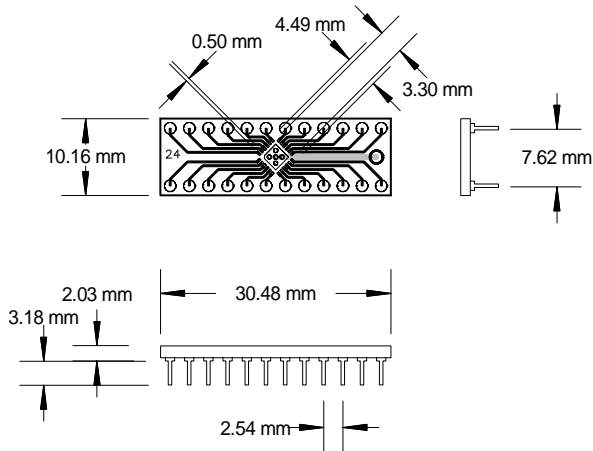


AK24D300-LLP

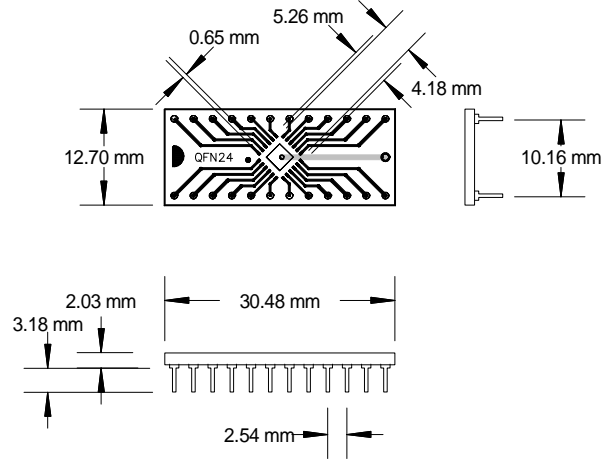
LEADLESS LEADFRAME PACKAGE (5 X 4)
TO 24 PIN DIP



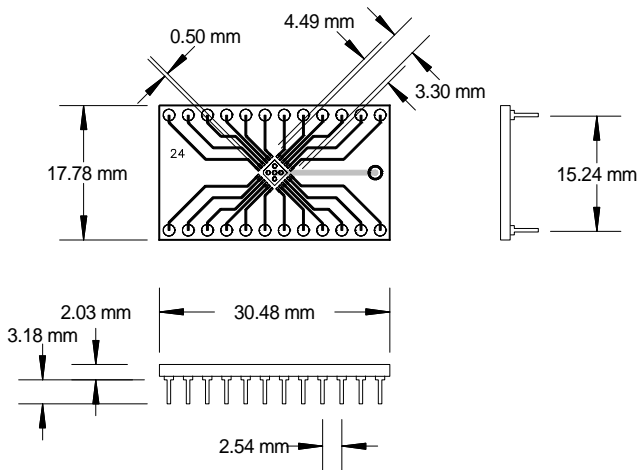
AK24D300-QFN/MLP 4X4
4MM-24 PIN QFN/MLP 0.5MM PITCH TO 0.300" DIP



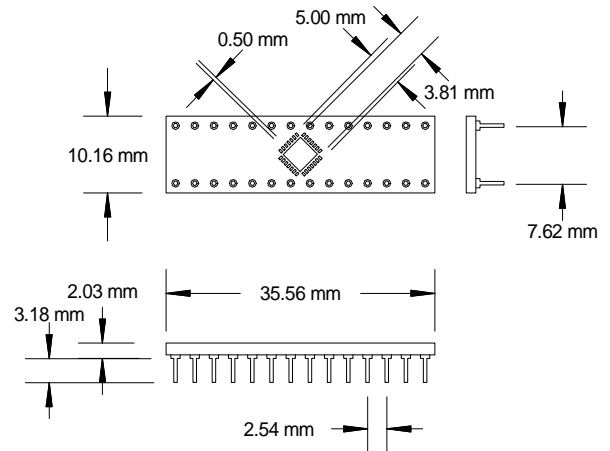
AK24D400-QFN/MLP 5X5
5MM-24 PIN QFN/MLP 0.65MM PITCH TO 0.400" DIP



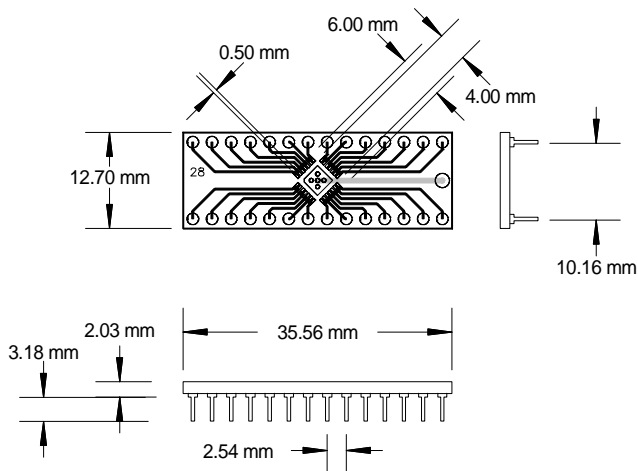
AK24D600-QFN/MLP 4X4
4MM-24 PIN QFN/MLP 0.5MM PITCH TO 0.600" DIP



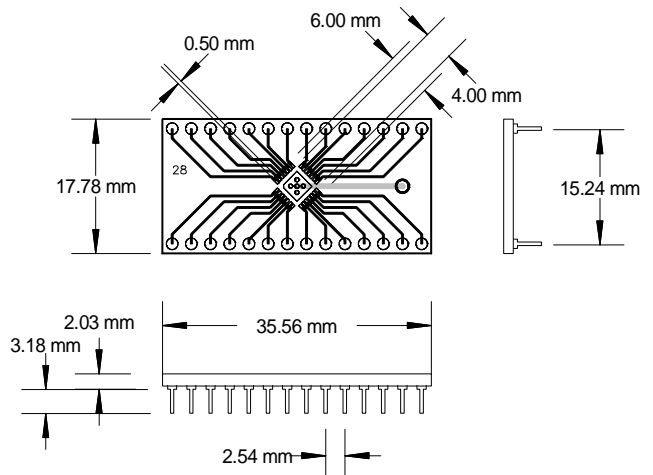
AK28D300-LLP
LEADLESS LEADFRAME PACKAGE (5 X 5)
TO 28 PIN 0.300" DIP



AK28D400-QFN/MLP 5X5
5MM-28 PIN QFN/MLP 0.5MM PITCH TO 0.400" DIP

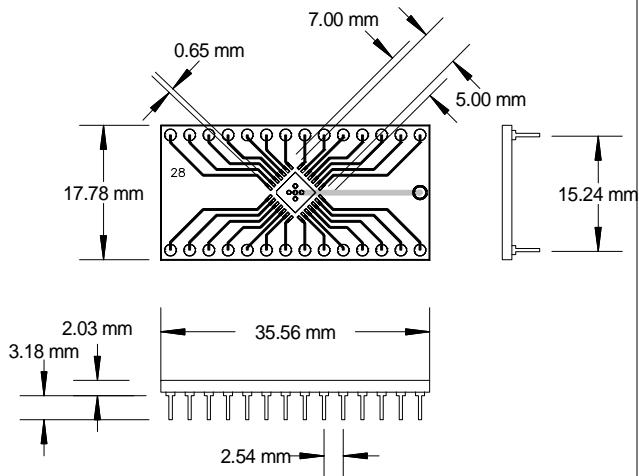


AK28D600-QFN/MLP 5X5
5MM-28 PIN QFN/MLP 0.5MM PITCH TO 0.600" DIP



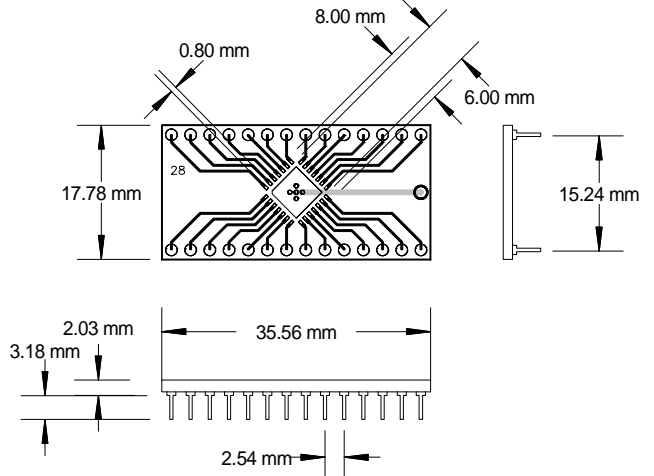
AK28D600-QFN/MLP 6X6

6MM-28 PIN QFN/MLP 0.65MM PITCH TO 0.600" DIP



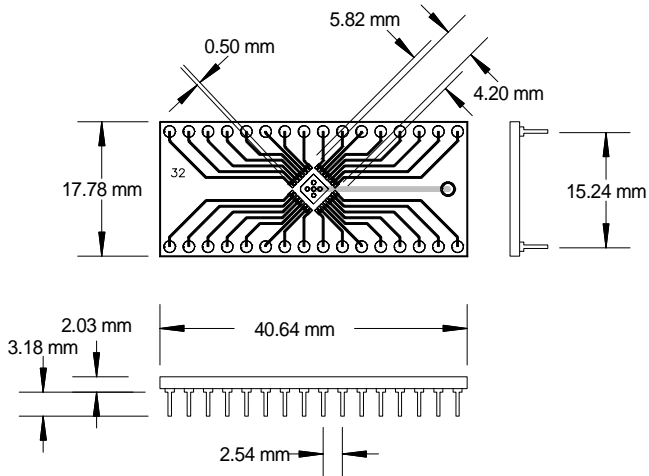
AK28D600-QFN/MLP 7X7

7MM-28 PIN QFN/MLP 0.8MM PITCH TO 0.600" DIP



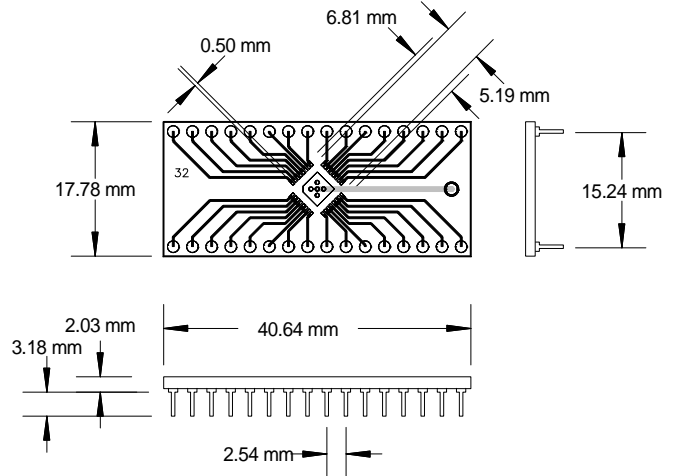
AK32D600-QFN/MLP 5X5

5MM-32 PIN QFN/MLP 0.5MM PITCH TO 0.600" DIP



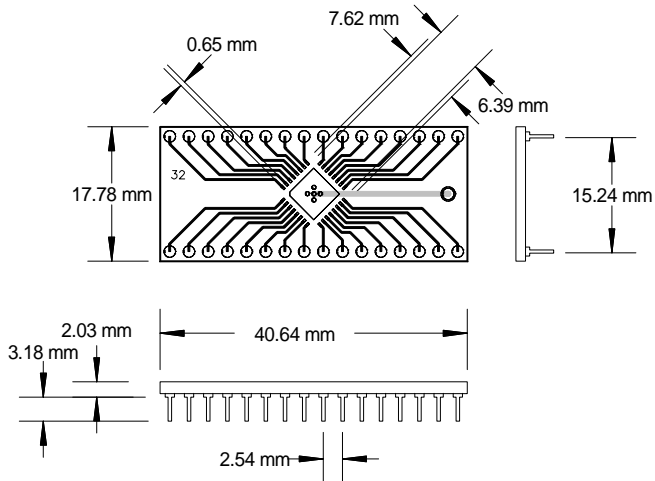
AK32D600-QFN/MLP 6X6

6MM-32 PIN QFN/MLP 0.5MM PITCH TO 0.600" DIP



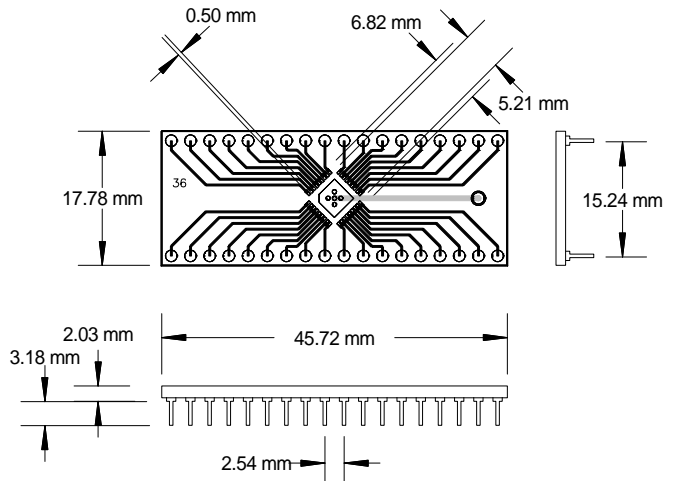
AK32D600-QFN/MLP 7X7

7MM-32 PIN QFN/MLP 0.65MM PITCH TO 0.600" DIP

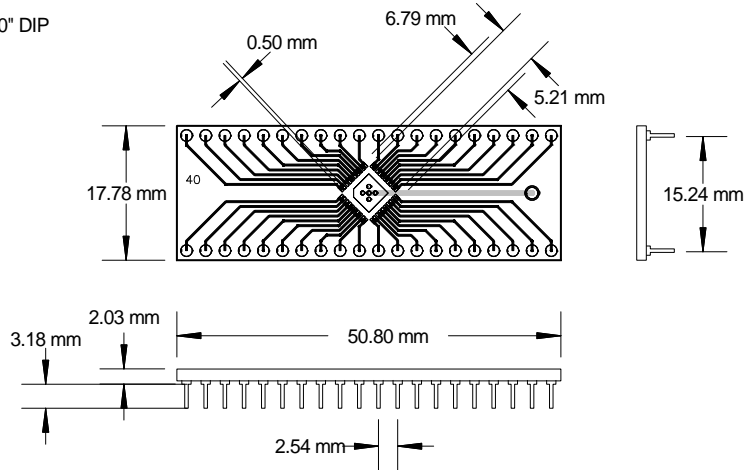


AK36D600-QFN/MLP 6X6

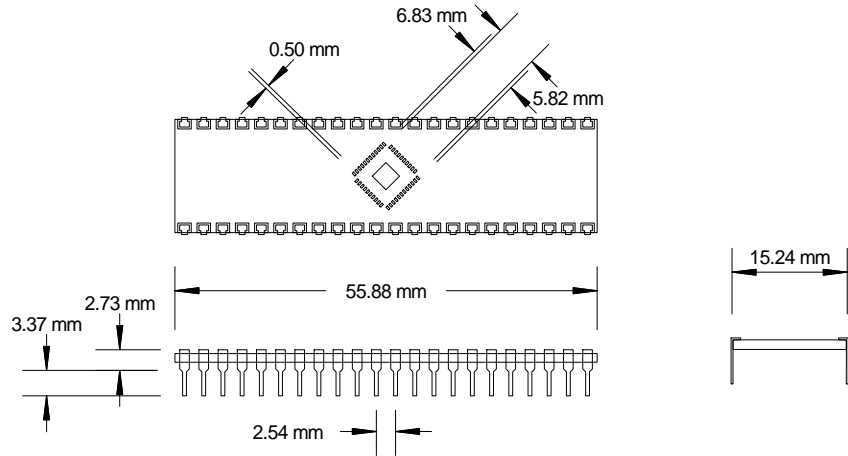
6MM-36 PIN QFN/MLP 0.5MM PITCH TO 0.600" DIP



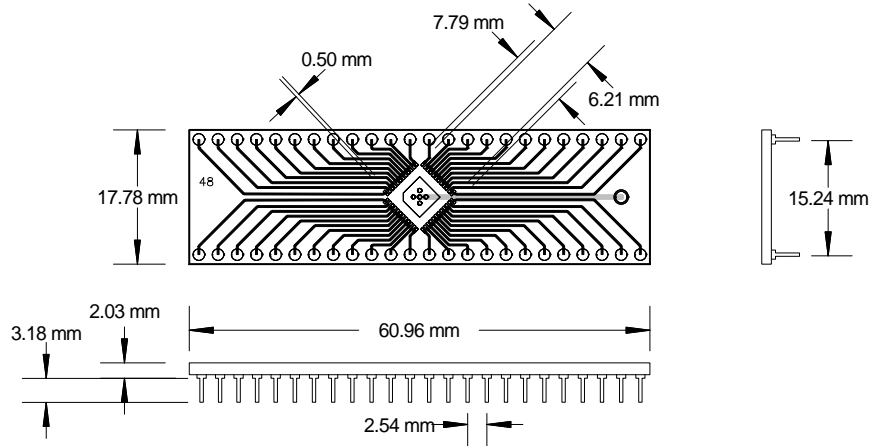
AK40D600-QFN/MLP 6X6
 6MM-40 PIN QFN/MLP 0.5MM PITCH TO 0.600" DIP



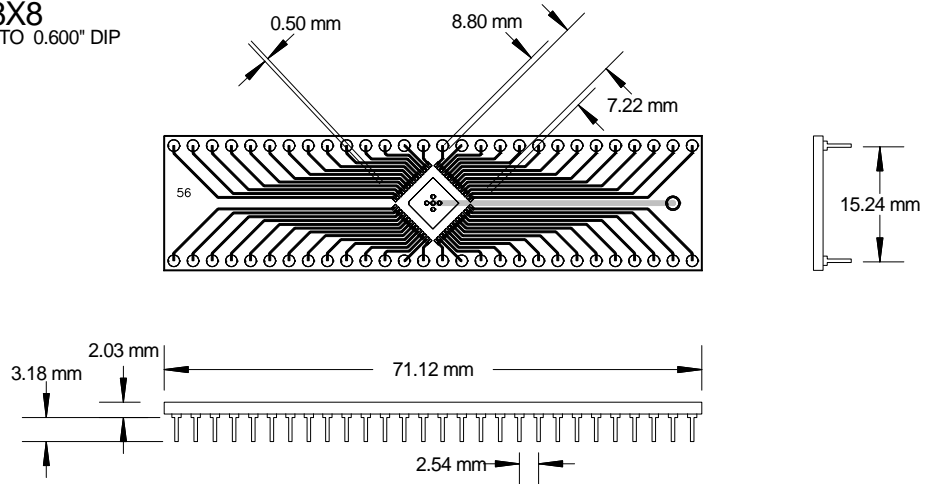
AK44D600-LLP
 LEADLESS LEADFRAME PACKAGE
 (7 X 7mm) (10pin x 12pin)
 TO 44 PIN 0.600" DIP



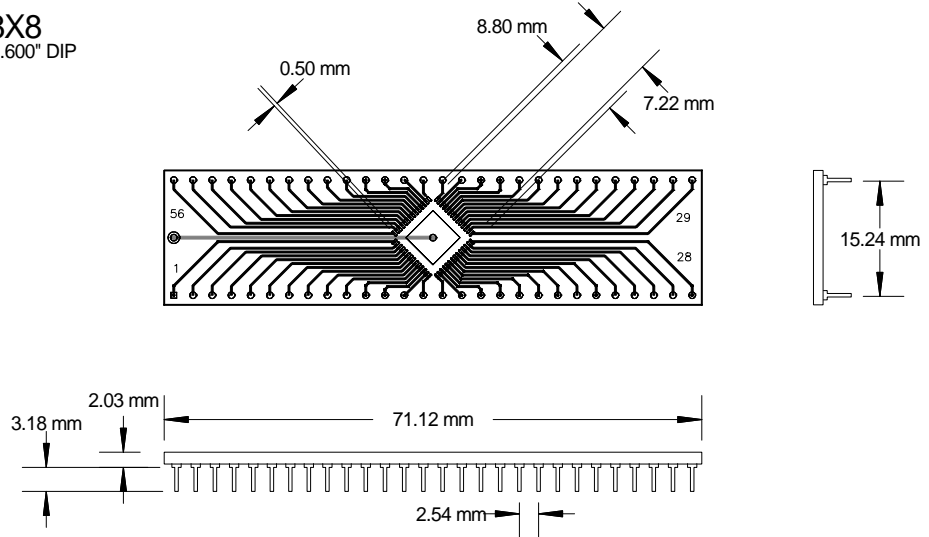
AK48D600-QFN/MLP 7X7
 7MM-48 PIN QFN/MLP 0.5MM PITCH TO 0.600" DIP



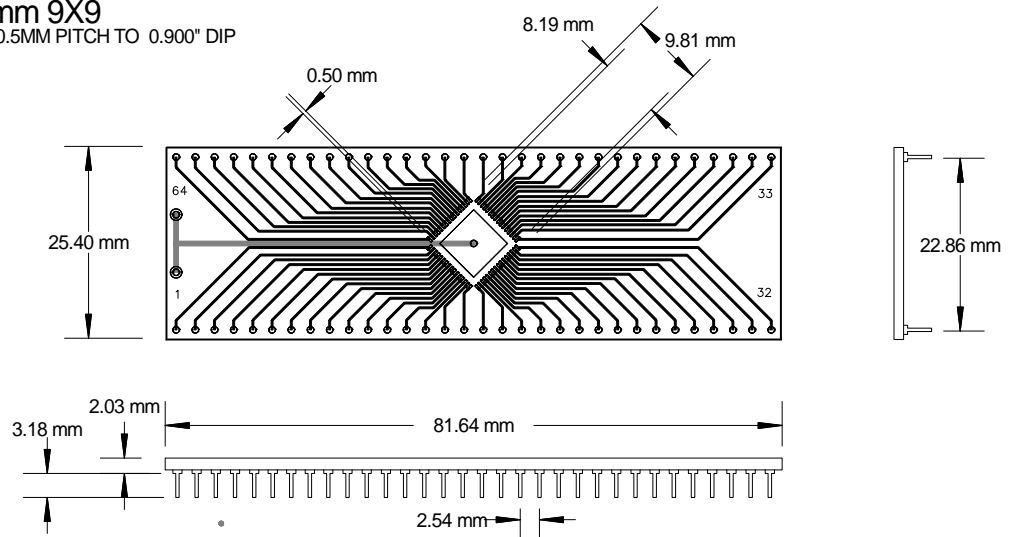
AK56D600-QFN/MLP 8X8
 8MM-56 PIN QFN/MLP 0.5MM PITCH TO 0.600" DIP



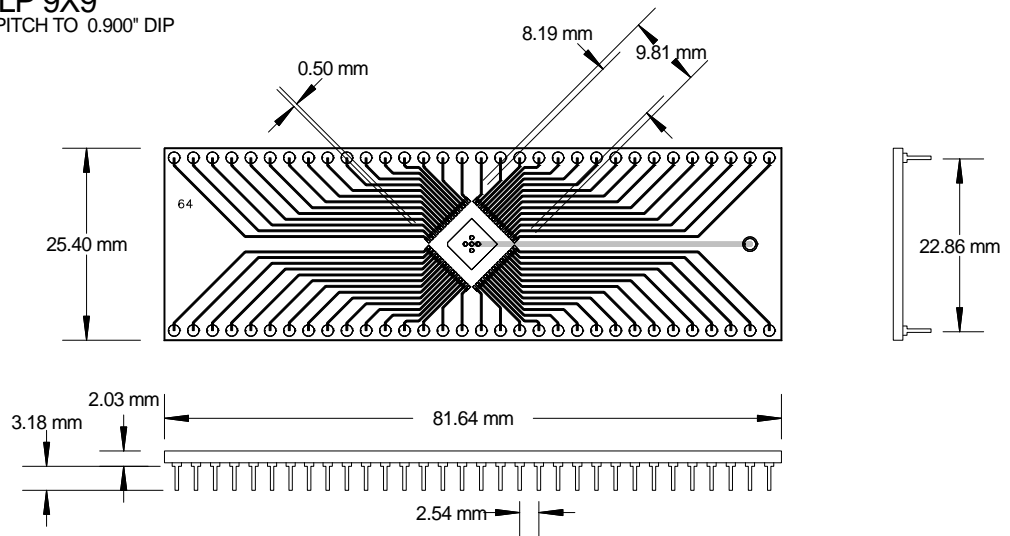
AK56D600-MLF.5mm 8X8
 8MM-56 PIN MLF 0.5MM PITCH TO 0.600" DIP



AK64D900-LGA.5mm 9X9
 9MM-64 PIN 9mm x 9mm LGA 0.5MM PITCH TO 0.900" DIP



AK64D900-QFN/MLP 9X9
9MM-64 PIN QFN/MLP 0.5MM PITCH TO 0.900" DIP



AK72D900-QFN/MLP 10X10
10MM-72 PIN QFN/MLP 0.5MM PITCH TO 0.900" DIP

